

Pluggable Multi-Pole SPD

SLP40-275/3(S)+1

Class II • Type 2



Location of Use: Sub-Distribution Boards
 Network Systems: TT, TN-S
 Mode of Protection: L-N, N-PE
 Surge Ratings: $I_n = 20 \text{ kA}$ (8/20 μs)
 IEC/EN Category: Class II / Type 2 / Type 1CA
 Protective Elements: High Energy MOV and GDT
 Housing: Pluggable Design
 Compliance: IEC 61643-11:2011
 EN 61643-11:2012

Technical Data

SLP40-275/3(S)+1

275

IEC Electrical

| | | |
|---|------------------------------|---------------------|
| Nominal AC Voltage (50/60Hz) | | 230 V |
| Maximum Continuous Operating Voltage | (L - N) U_c | 275 V |
| | (N - PE) U_c | 255 V |
| Nominal Discharge Current (8/20 μs) | (L - N) / (N - PE) I_n | 20 kA / 20 kA |
| Maximum Discharge Current (8/20 μs) | (L - N) / (N - PE) I_{max} | 40 kA / 40 kA |
| Voltage Protection Level | (L - N) / (N - PE) U_p | 1500 V / 1500 V |
| Follow Current Interrupt Rating | (N - PE) I_{fi} | 100A _{RMS} |
| Residual Current at U_c | I_{PE} | none |
| Response Time | (L - N) / (N - PE) t_A | < 25 ns / < 100 ns |
| Back-Up Fuse (max) | | 125 A gL / gG |
| Short-Circuit Current Rating (AC) | (L - N) I_{SCCR} | 25 kA |
| TOV Withstand 5s | (L - N) U_T | 335 V |
| TOV 120min | (L - N) U_T | 440 V |
| | mode | Safe Fail |
| TOV Withstand 200ms | (N - PE) U_T | 1200V |
| Number of Ports | | 1 |

Mechanical & Environmental

| | | |
|------------------------------------|-----------|--|
| Operating Temperature Range | T_a | -40 °F to +158 °F [-40 °C to +70 °C] |
| Permissible Operating Humidity | RH | 5%...95% |
| Atmospheric pressure and altitude | | 80k Pa ... 106k Pa / -500 m ... 2000 m |
| Terminal Screw Torque | M_{max} | 39.9 lbf-in [4.5 Nm] |
| Conductor Cross Section (max) | | 2 AWG (Solid, Stranded) / 4 AWG (Flexible) 35 mm ² (Solid, Stranded) / 25 mm ² (Flexible) |
| Mounting | | 35 mm DIN Rail, EN 60715 |
| Degree of Protection | | IP 20 (built-in) |
| Housing Material | | Thermoplastic: Extinguishing Degree UL 94V-0 |
| Thermal Protection | | Yes |
| Operating State / Fault Indication | | Green ok / Red defect |
| Remote Contacts (RC) | | Optional |
| RC Switching Capacity | | AC: 250V / 0.5A; DC: 250V / 0.1A; 125V / 0.2A; 75V / 0.5A |
| RC Conductor Cross Section (max) | | 16 AWG (Solid) / 1.5 mm ² (Solid) |

Order Information

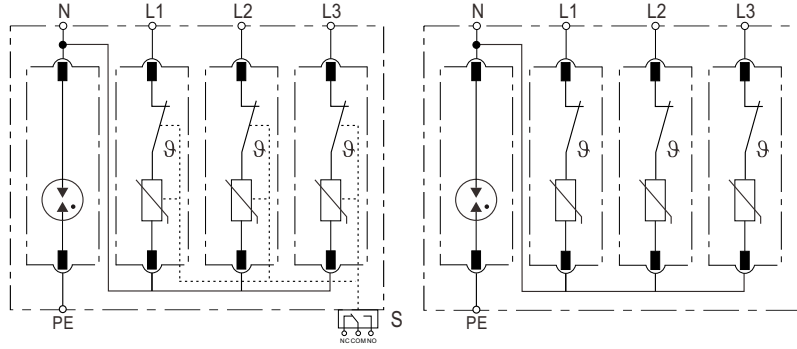
| | |
|---------------------------------------|---------|
| Order Code | 275 |
| SLP40-275/3+1 | 4027533 |
| SLP40-275/3S+1 (with remote contacts) | 4027534 |
| SLP40-275/0 (spare modules) | 4027501 |
| SLP40-255/0 (spare modules) | 4025501 |

SLP40-275/3(S)+1

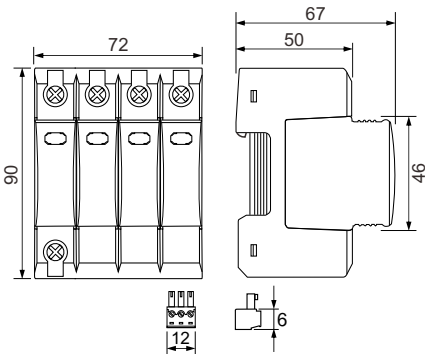
Internal Configuration

Legend

- L Line
- N Neutral
- PE Protective Earth
- S Signalling Contacts Optional



Dimensions & Packaging

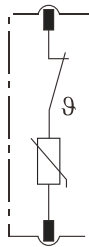


Dimensions & Packaging

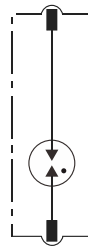
| | |
|---------------------------------|----------------------|
| SLP40-275/3(S)+1 | 275 |
| Single Unit DIN 43880 Dimension | 1 CTN |
| Packaging Dimensions (HxWxL) | [270 × 230 × 330 mm] |
| Minimum Order Quantity | 24 Units |

Plug Internal Configuration

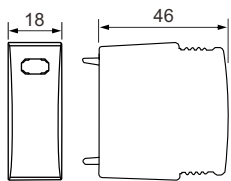
SLP40-275/0



SLP40-255/0



Dimensions & Packaging



Dimensions & Packaging

| | |
|---------------------------------|----------------------|
| SLP40-275/0 | 275 |
| SLP40-255/0 | 255 |
| Single Unit DIN 43880 Dimension | 1 CTN |
| Packaging Dimensions (HxWxL) | [270 × 230 × 330 mm] |
| Minimum Order Quantity | 96 Units |

Connection Diagram

TN-S, TT (Three-phase, 3+1)

